



GOVERNOR

Line Pressure Regulators



*** APPLICATION NOTES ***

1. The low Capacity GOVERNORS 1/2" - 1" are intended for use on equipment such as unit heaters or simple on/off furnace applications.
2. Use the High Capacity GOVERNORS on all "High Efficiency" quick acting applications, such as pool heaters or high turn down boilers.
3. Try to match the GOVERNOR regulator to the pipe size of the equipment.
4. Be careful on applications where you increase the outlet piping more than 1 diameter. You may need to install an external control line in the larger piping. The GOVERNOR can be ordered with or retrofitted with an external control line.
5. Make sure on all installations you don't install the regulator directly at the equipment. Install the regulator 3 to 10 feet away depending on the application.
6. Minimize the amount of elbows and fittings between the regulator and the equipment.
7. Never install the external vent limiter outdoors. For outdoors installation install appropriate vent protection.
8. All High capacity GOVERNORS include an inlet filter. The filter and/or regulator may be cleaned by removing the bottom plate Torx security screws, bottom plate assembly, then remove the filter. The filter can then be cleaned with detergent or non corrosive solvent and dried. The valve and orifice can be cleaned with a cloth while the bottom plate is off. Then reassemble the unit.
9. If there is ever any questions on the installation or application of the Governor regulator, immediately contact your local authorized distributor or representative.



GOVERNOR

Line Pressure Regulators

Introduction

Pietro Fiorentini's GOVERNOR line of gas regulators are designed to comply with the latest CSA and international standards for regulators suitable for indoor and outdoor installations with no modifications.

The GOVERNOR family of regulators are ideal for a wide range of residential through large industrial applications. The materials and soft parts used in the construction of the GOVERNOR regulators make them suitable for use with natural gas, LPG, Propane air and other non-corrosive gases.

All GOVERNOR regulators are equipped with balanced valve design for improved high outlet pressure accuracy regardless of Inlet pressure variation. The double diaphragm with integral vent limiter provides added security. The external vent limiter reduces piping costs and the need for costly vent piping for indoor installations and complies with CSA guidelines.* The number of high capacities and regulator options sometimes eliminates the need for separate units and significantly reduces installation costs.

Safe, Reliable and High Performance

- Internal vent limiter: non removable, for indoor and outdoor installations.
- External vent limiter option for indoor installations.*
- Double diaphragm for added safety and greater reliability of service.
- Balanced valve design gives you for increase capacity, high 500 to 1 turndown and stable regulation from low to high flow.
- Complete lockup in absence of gas flow, 100% bubble tight shutoff.
- Filter included in high capacity model.

* As Approved by Local Codes and Standards

** Vent Limiters should be removed for outdoor installation **



STANDARD MODEL

Inlet Pressure Range: 3" W.C. to 2 PSIG



OVER PRESSURE DEVICE (OPD) MODEL

Inlet Pressure Range: 7" W.C. to 5 PSIG



OVER PRESSURE DEVICE (DC) MODEL

Inlet Pressure Range: 3 PSIG to 10 PSIG



GOVERNOR

Line Pressure Regulators

2 PSIG

Standard Model



Main Features

- CSA 6.22a-2005 ANSI Z21.80A2005 Class I for outlet pressures up to 14" W.C. Certified
- Integral Vent Limiter
- CSA approved External Vent Limiter – no vent line required**
- Positive 100% bubble tight lock up Inlet and Outlet test ports
- 500 to 1 Turndown

Specifications

- Suitable for use with Natural Gas, LPG, and other non-corrosive, clean gas
- Inlet Pressure: 3" W.C. to 2 PSIG CSA approved
- Max. Inlet 7.25 PSIG for non-CSA
- Outlet pressure: 2" W.C. to 14" W.C. for CSA
Outlet pressure: 2" W.C. to 4.25 PSIG for non-CSA
- Temperature range: -40°F to 150°F
- Connections: 1/2" thru 4"
- Maximum Emergency Inlet Exposure Pressure: 80 PSIG
- Suitable for Indoor or Outdoor Installation

Standard Model

Inlet Pressure Range: 3" W.C. to 2 PSIG



Vent Sizes

- 1/4" NPT 1/2" – 1"
- 1/2" NPT 1 1/4" – 4"

Outlet Spring Range

- Green 2" W.C. to 5.1" W.C.*
- Red 2.75" W.C. to 7.87" W.C.*
- Black 6" W.C. to 14" W.C.*
- Yellow 9.8" W.C. to 27.5" W.C.
- Violet 23.6" W.C. to 59" W.C. or 0.85 to 2.13 PSIG
- Orange 55" W.C. to 118" W.C. or 2 to 4.26 PSIG

*Spring is CSA outlet pressure certified

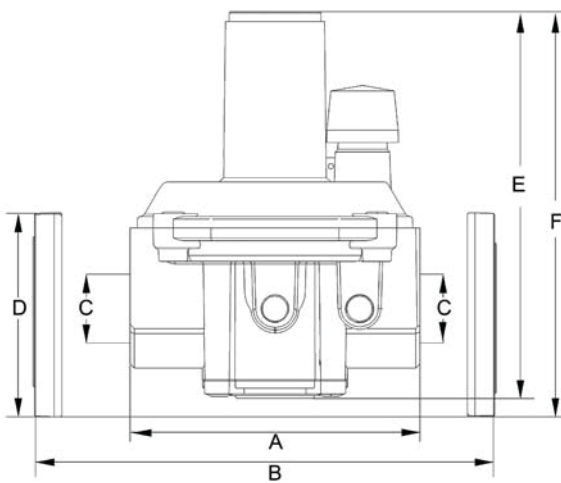
CAPACITY IN CFH FOR .60 SPECIFIC GRAVITY GAS

	Outlet Pressure Set Point		Operating Inlet Pressure	
	8" W.C.	11" W.C.	14" W.C.	1 PSIG 2 PSIG
L050AE 1/2"	8" W.C.	386	635	928
	11" W.C.	297	628	928
L075AE 3/4"	8" W.C.	386	848	1,155
	11" W.C.	297	778	1,155
L100AE 1"	8" W.C.	386	1,059	1,501
	11" W.C.	297	974	1,501
H050AE 1/2" High Capacity	8" W.C.	703	1,337	1,740
	11" W.C.	518	1,161	1,740
H075AE 3/4" High Capacity	8" W.C.	820	1,519	2,030
	11" W.C.	604	1,354	2,030
H100AE 1" High Capacity	8" W.C.	1,032	1,881	2,554
	11" W.C.	760	1,703	2,554
H125AE 1 1/4"	8" W.C.	2,156	3,581	5,334
	11" W.C.	1,588	3,558	5,534
H150AE 1 1/2"	8" W.C.	2,674	4,537	6,617
	11" W.C.	1,970	4,413	6,617
H200AE 2"	8" W.C.	5,396	9,688	13,352
	11" W.C.	3,975	8,907	13,352
H250AE/F 2 1/2"	8" W.C.	6,581	11,864	16,847
	11" W.C.	4,675	10,973	16,910
H300AE/F 3"	8" W.C.	7,741	13,448	18,562
	11" W.C.	5,961	12,572	18,562
H400AE/F 4"	8" W.C.	13,789	23,974	33,058
	11" W.C.	10,636	22,422	33,058

Recommended for no more than 80% slated capacity, for optimal performance. For additional sizing, visit www.gasinside.com
www.accardicompanies.com 718-793-6900

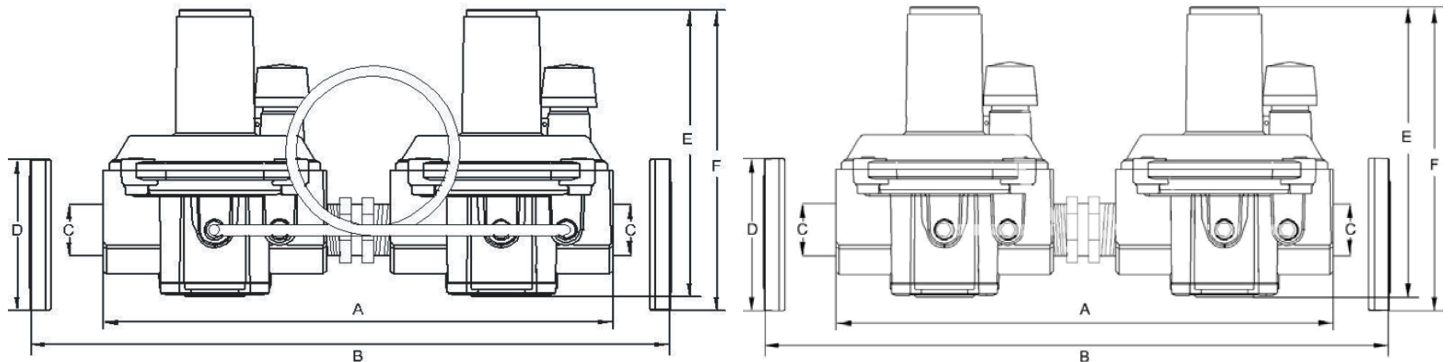
GOVERNOR Standard Model - Dimensions

DIMENSIONS (IN INCHES)



Model #	Size	A	B	C	D	E	F	Weight (Lbs)
L050AE	1/2" NPT	4.12 4.45 w/Filter	-	1/2	-	5.59	-	1.54
L075AE	3/4" NPT	4 4.29 w/Filter	-	3/4	-	5.59	-	1.54
L100AE	1" NPT	4 4.29 w/Filter	-	1	-	5.59	-	1.54
H050AE	1/2" NPT	5.43	-	1/2	-	6.89	-	2.75
H075AE	3/4" NPT	5.28	-	3/4	-	6.89	-	2.75
H100AE	1" NPT	5.28	-	1	-	6.89	-	2.75
H125AE	1 1/4" NPT	7.64	-	1 1/4	-	10	-	7.5
H150AE	1 1/2" NPT	7.64	-	1 1/2	-	10	-	7.5
H200AE	2" NPT	9.29	-	2	-	12.44	13.74	12.34
H250AE/F	2 1/2" FLANGED	-	16.9	3	ANSI 150	-	17.09	27.56
H300AE/F	3" FLANGED	-	16.9	3	ANSI 150	-	17.09	27.56
H400AE/F	4" FLANGED	-	16.9	4	ANSI 150	-	19.76	27.56

GOVERNOR Over Pressure Device (OPD) Model & Dual Cut (DC) Model - Dimensions



DIMENSIONS (IN INCHES)

Model #	Size	A	B	C	D	E	F	Weight (Lbs)
L050AE	1/2" NPT	8.86	-	1/2	-	5.59	-	3.25
L075AE	3/4" NPT	8.86	-	3/4	-	5.59	-	3.25
L100AE	1" NPT	8.86	-	1	-	5.59	-	3.25
H050AE	1/2" NPT	11.22	-	1/2	-	6.89	-	5.75
H075AE	3/4" NPT	11.22	-	3/4	-	6.89	-	5.75
H100AE	1" NPT	11.22	-	1	-	6.89	-	5.75
H125AE	1 1/4" NPT	16.61	-	1 1/4	-	10	-	15.5
H150AE	1 1/2" NPT	16.61	-	1 1/2	-	10	-	15.5
H200AE	2" NPT	19.88	-	2	-	12.44	13.74	25
H250AE/F	2 1/2" FLANGED	-	33.93	3	ANSI 150	-	17.09	56
H300AE/F	3" FLANGED	-	33.93	3	ANSI 150	-	17.09	56
H400AE/F	4" FLANGED	-	33.93	4	ANSI 150	-	19.76	56

Warranty Policy

The Seller undertakes to remedy any defects, lack of quality or non-conformity of the goods contract for which he is responsible, provided such defects have been notified in accordance within 10 (ten) days from the occurrence. The Seller may either repair or replace the goods which have shown to be defective.

In case of repair, request to return product(s) for repair must be pre-approved in writing by our Sales Department. The product(s) shall be returned pre-paid to Pietro Fiorentini USA.

Seller is not responsible for defects due to: natural wearing, Buyer's inexperience, negligence, tampering or wrong assemblage, overcome of limits conditions, non authorized intervention, force majeure or fault of the Buyer. The duration of the guarantee is twenty four months from delivery of goods.

The present warranty is not enforceable in case of lack of payment in the agreed terms. It is agreed that the obligation to repair or replace the defective goods is in lieu of any other legal guarantee or liability of the Seller, whether contractual or non-contractual, which may arise out of or in relation with the goods supplied (e.g. compensation of damages, loss of profit, recall campaigns, etc.). For goods that have been purchased from sub-suppliers, the warranty guarantee granted by them is herewith extended to the Buyer.

Materials

- Body & Cover: Aluminum Alloy
- External Coatings: Polyurethane paint on request
- Diaphragm, O Rings & Valve: Nitrile Rubber
- Diaphragm Pan: Aluminized Steel